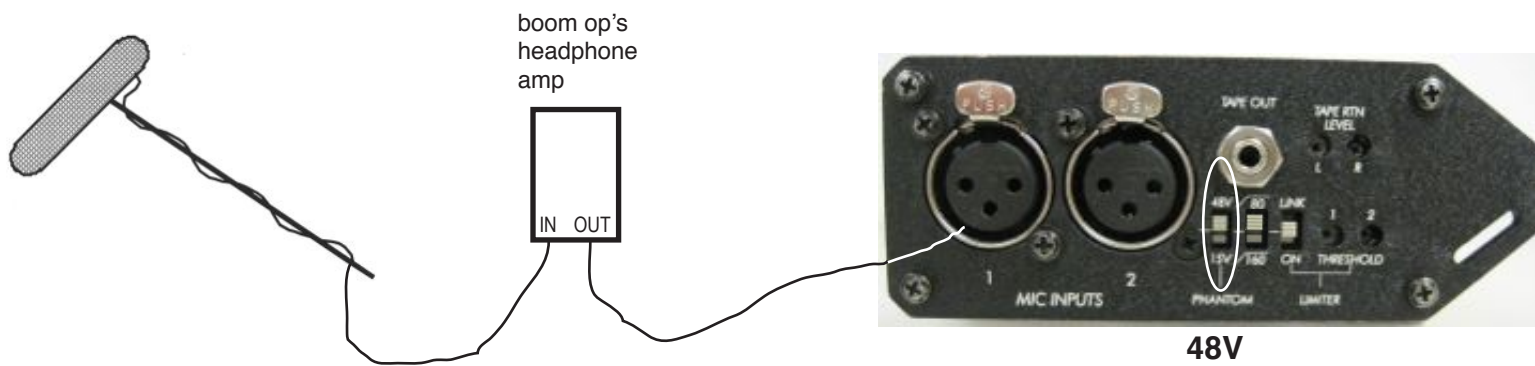


# MIXER HOOK-UP -- ONE BOOM MIC



L

doesn't  
matter



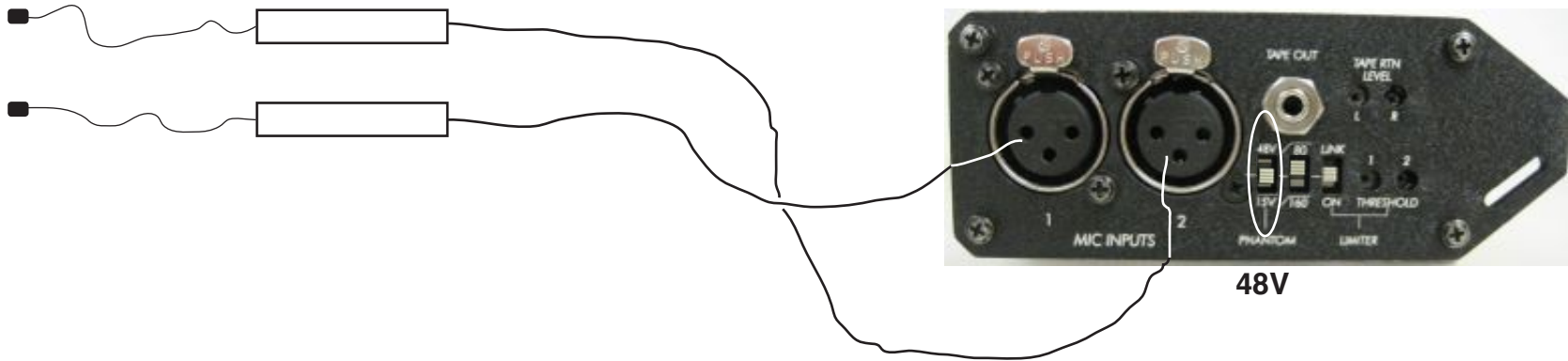
## XA10



Note! CH1 on the right, CH2 on the left



# MIXER HOOK-UP -- TWO LAVS



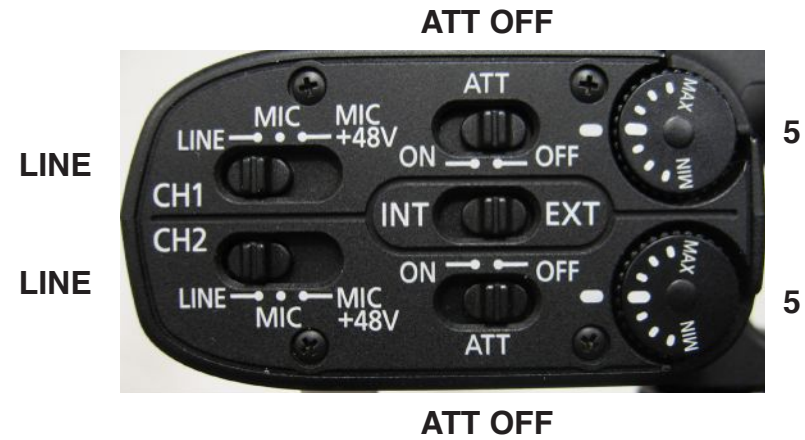
L R

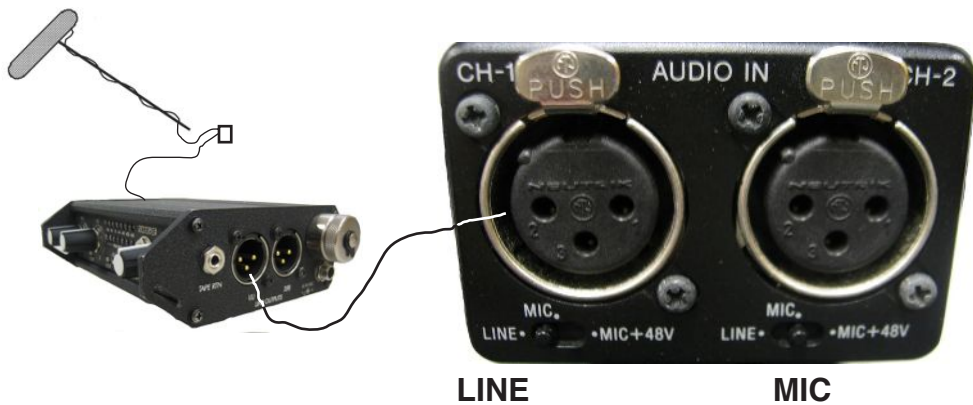


**XA10**



Note! CH1 on the right, CH2 on the left





LINE

MIC

# EX1R



EXT

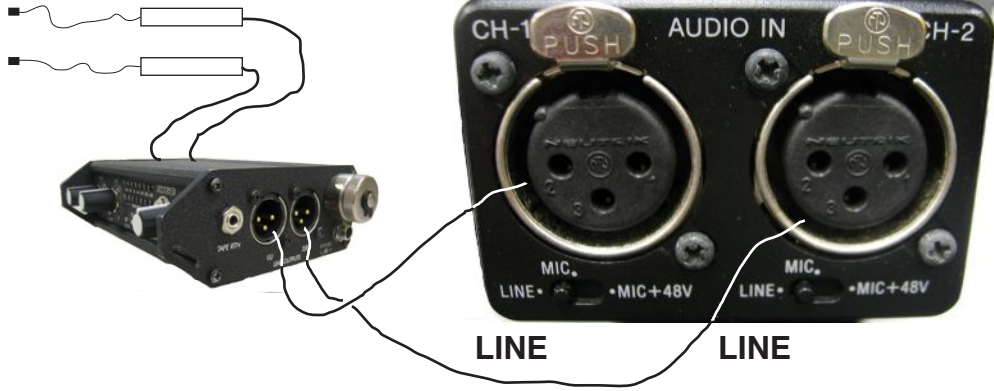
INTMIC

ALWAYS MANUAL



5

5



LINE

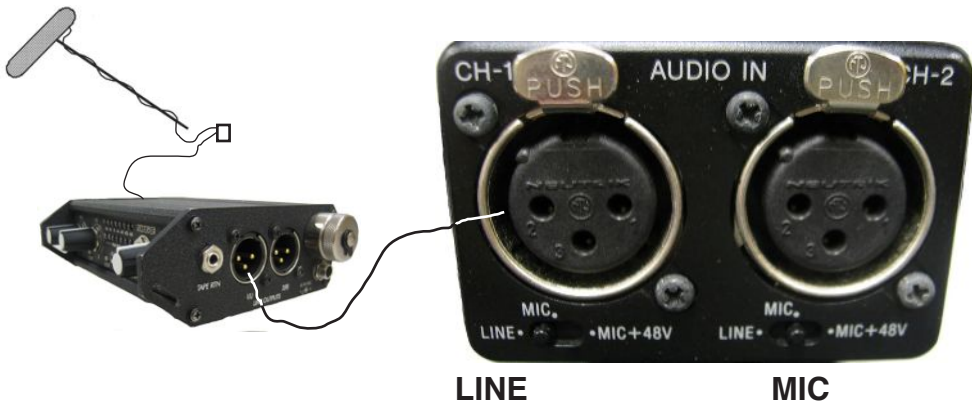
LINE



EXT

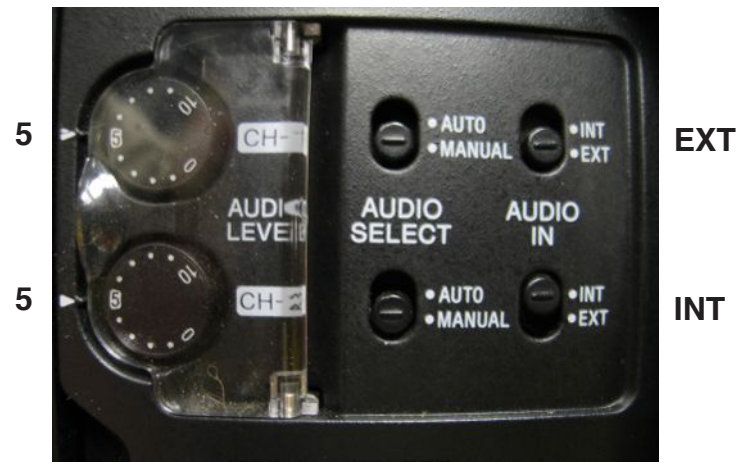
EXT



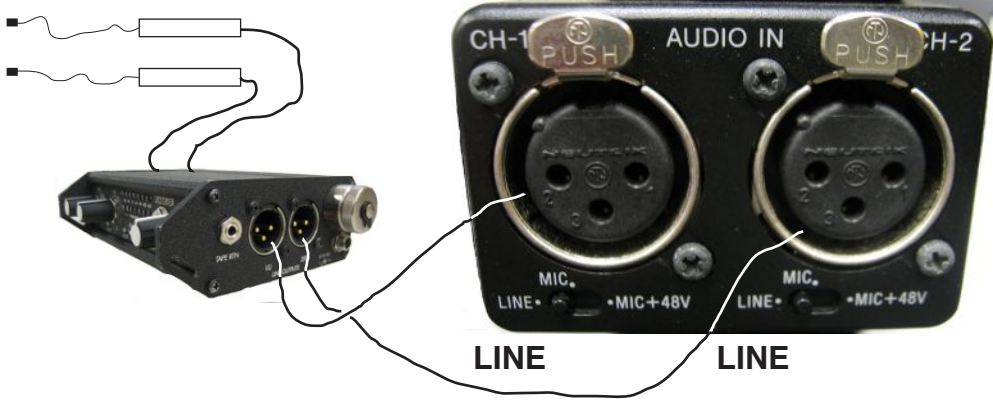


LINE MIC

**EX3**



ALWAYS MANUAL



LINE LINE

